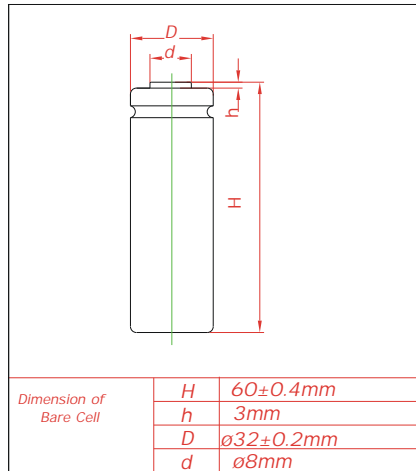
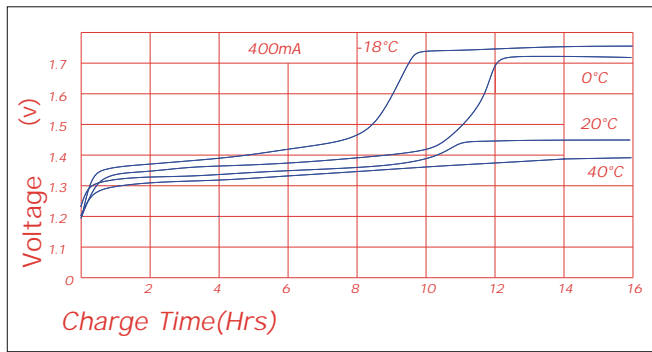
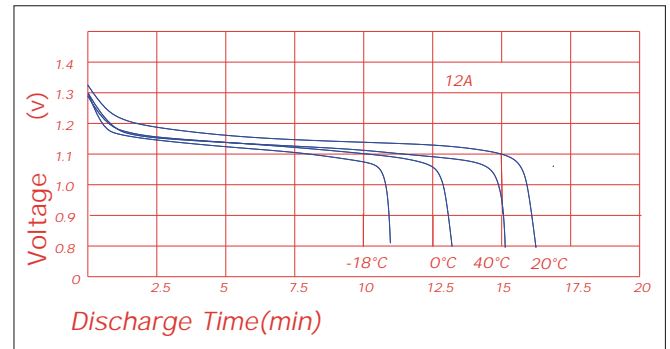
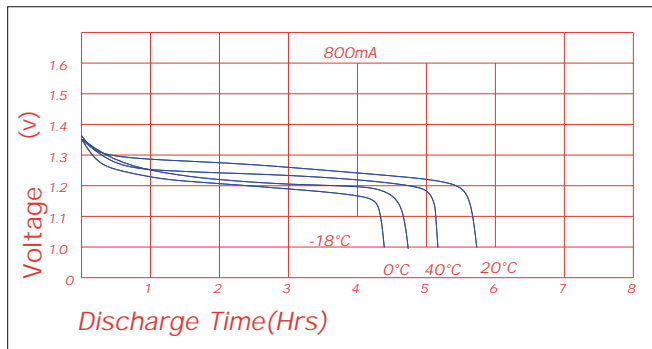
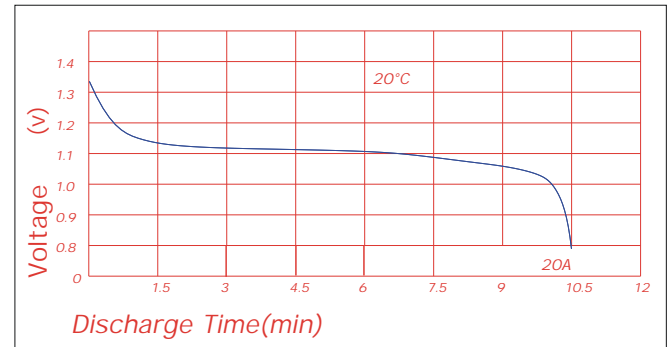
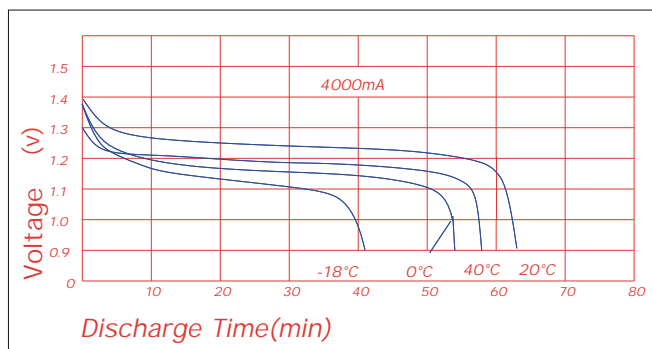


Specifications


Nominal Capacity		4000mAh		
Nominal Voltage		1.2V		
Cycle life		>500		
Charge	Standard	400mA	15h	0-45°C
	Quick	1.2A	5h	5-45°C
	Fast	4000mA	1.1h	10-45°C
Discharge		-20°C~65-20°C		
Storage				
Internal Impedance(AC) (After Charge)		5m Ω		
Weight		144g		

Charge

Discharge(at high rate)

Discharge (at low rate)

Discharge(at high rate)

Discharge(at high rate)

Charge Retention
